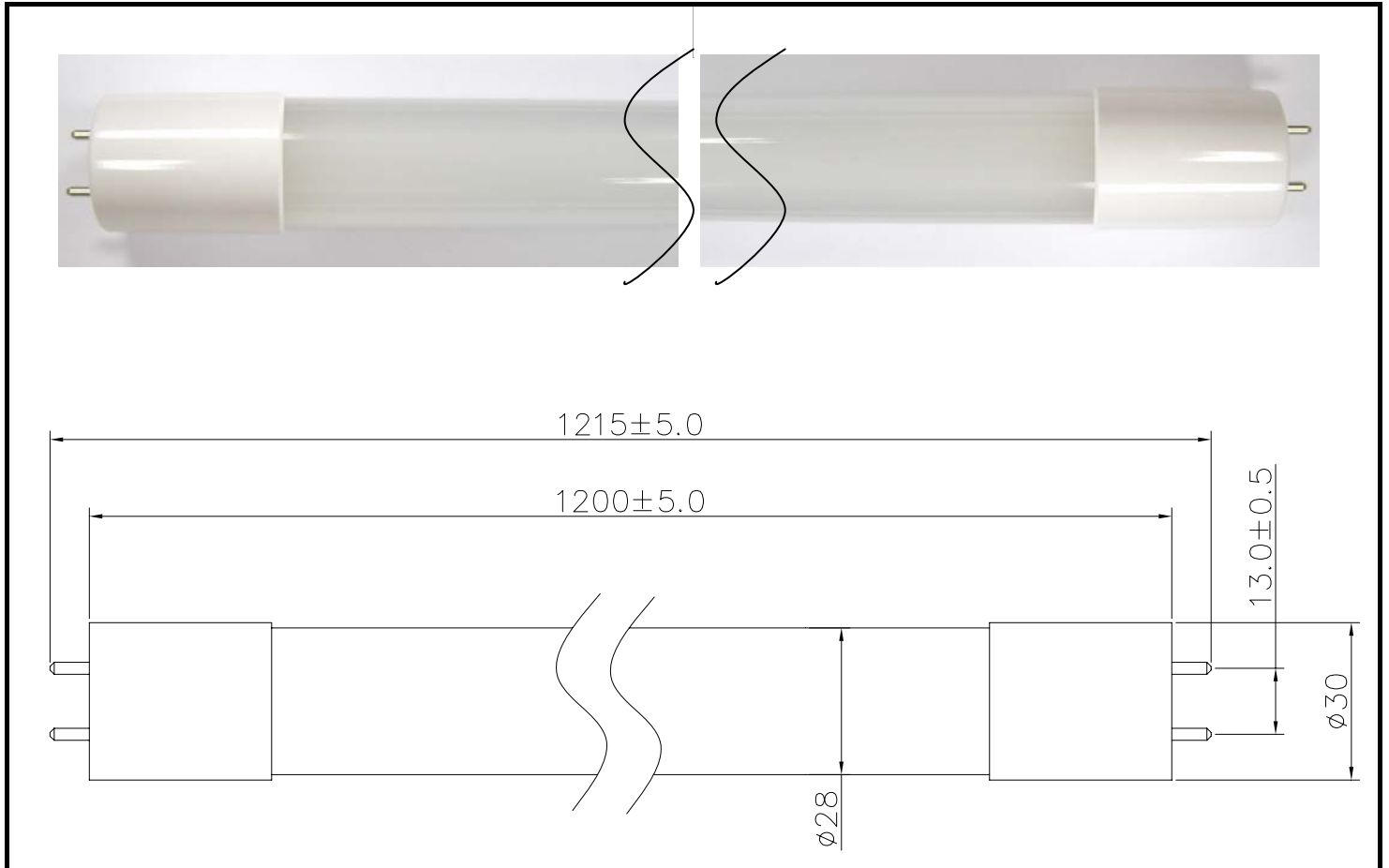


| | | |
|------------|----------------------------|-----------|
| Part No. | AB-FT42080WD | Diff No. |
| Ø30x1215mm | LED Fluorescent Tube Light | Type : T9 |

■ Product Photo:**■ Features:**

- LED power : 20 W.
- Dimension : Ø30 × 1215mm (4 feet).
- Emitted color : White.
- Chip material : InGaN.
- High luminance, Lower power consumption.
- No UV or IR radiation.
- Excellent thermal performance.
- Heat sink : Aluminum extrusion.
- Compatible with Fluorescent Tube T9.
- Optional plastic light cover : White Diffused.
- Long life LED span to 40,000 hours.
- **Not suitable electronic ballasts.**

| | | |
|------------|----------------------------|-----------|
| Part No. | AB-FT42080WD | Diff No. |
| Ø30x1215mm | LED Fluorescent Tube Light | Type : T9 |

■ Specification:

| Parameter | Symbol | Rating | Unit |
|-----------------------------|-----------------|-----------------------------|------|
| Input Voltage | V_{IN} | AC 90 ~ 264 | V |
| Forward Current | I_F | 0.4 (Max.) | A |
| Emitting degree | $2\theta_{1/2}$ | 120 | deg. |
| Color Temperature | CCT | 5500±500 | K |
| Luminous Flux | Flux | 1200 (Transmittance=80%) | lm |
| Power Dissipation | P_D | 20 | W |
| Operating Temperature Range | T_{opr} | -10 ~ 40 | °C |
| Storage Temperature Range | T_{stg} | -20 ~ 50 | °C |

| Parameter | Rating | Unit |
|----------------|---------|------|
| Work Frequency | 47 ~ 63 | Hz |
| Weight | 300 | g |