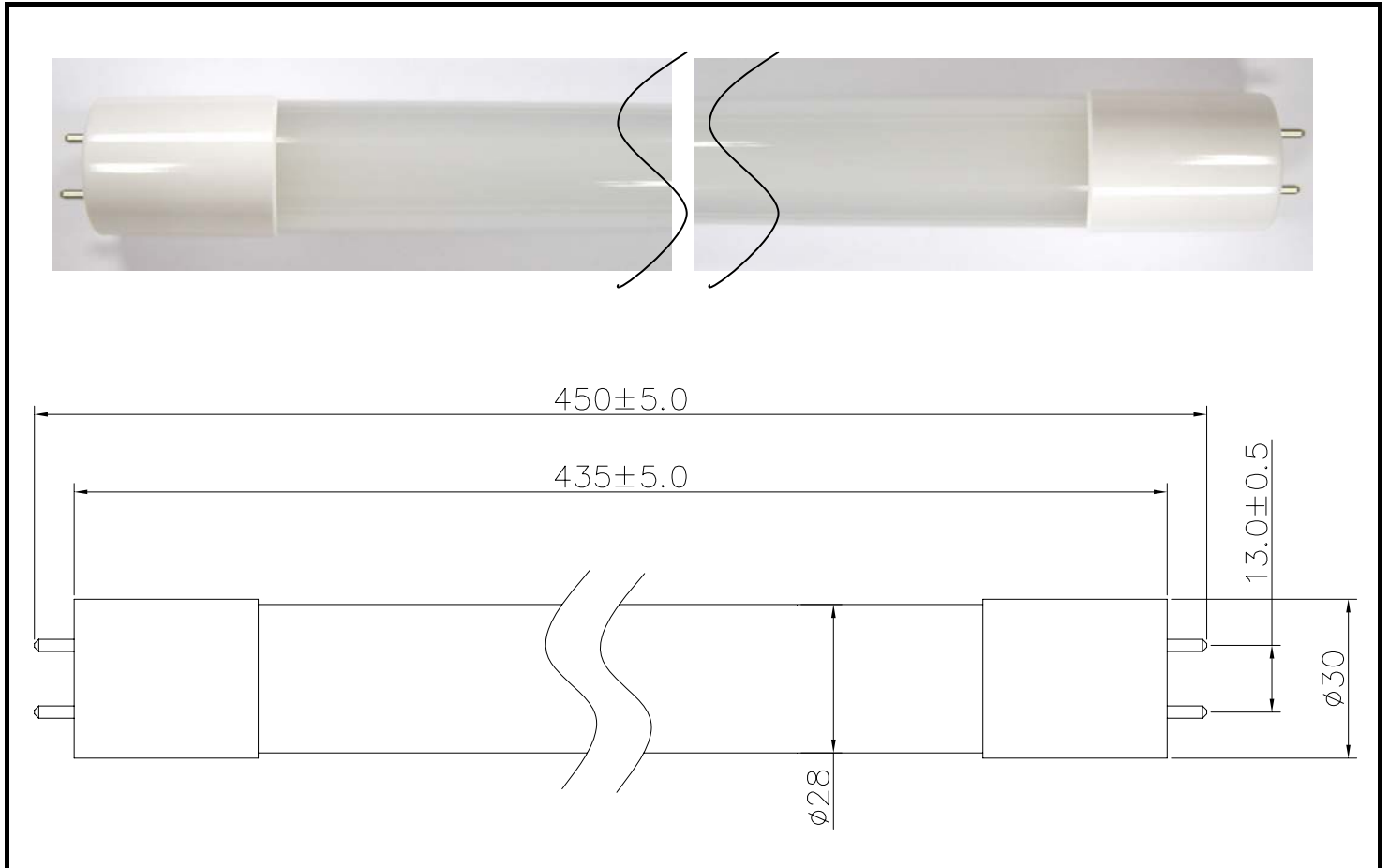


|           |                            |           |
|-----------|----------------------------|-----------|
| Part No.  | <b>AB-FT150680SWD</b>      | Diff No.  |
| Ø30x450mm | LED Fluorescent Tube Light | Type : T9 |

**■ Product Photo:****■ Features:**

- LED power : 6.8 W.
- Dimension : Ø30 × 450mm (1.5 feet).
- Emitted color : Warm White.
- Chip material : InGaN.
- High luminance, Lower power consumption.
- No UV or IR radiation.
- Excellent thermal performance.
- Heat sink : Aluminum extrusion.
- Compatible with Fluorescent Tube T9.
- Optional plastic light cover : White Diffused.
- Long life LED span to 40,000 hours.
- **Not suitable electronic ballasts.**

|           |                            |           |
|-----------|----------------------------|-----------|
| Part No.  | <b>AB-FT150680SWD</b>      | Diff No.  |
| Ø30x450mm | LED Fluorescent Tube Light | Type : T9 |

**■ Specification:**

| Parameter                   | Symbol          | Rating                     | Unit |
|-----------------------------|-----------------|----------------------------|------|
| Input Voltage               | $V_{IN}$        | AC 90 ~ 264                | V    |
| Forward Current             | $I_F$           | 0.15 (Max.)                | A    |
| Emitting degree             | $2\theta_{1/2}$ | 120                        | deg. |
| Color Temperature           | CCT             | 3000±500                   | K    |
| Luminous Flux               | Flux            | 400<br>(Transmittance=80%) | lm   |
| Power Dissipation           | $P_D$           | 6.8                        | W    |
| Operating Temperature Range | $T_{opr}$       | -10 ~ 40                   | °C   |
| Storage Temperature Range   | $T_{stg}$       | -20 ~ 50                   | °C   |

| Parameter      | Rating  | Unit |
|----------------|---------|------|
| Work Frequency | 47 ~ 63 | Hz   |
| Weight         | 131     | g    |