

MULTI LAMPS LED MODULE

Data Sheet

Description:

These multi lamps LED Bulbs are specifically designed for flashlight electric equipment, indicator light switch and where a wide view angle. The top view LED radiation pattern (120°) and high luminous intensity ensure that these devices are excellent for wide field of view outdoor applications where a wide viewing angle and readability in sunlight are essential.

High efficiency LED materials are used in this Bulb. Every lamp is made with an advanced optical grade epoxy offering superior high shock and high temperature resistance in outdoor applications.

Feature:

- Wide view angle
- High luminous output
- Seven kind color
- Solid-state Vibration resistant
- Saving power
- Long life

Option:

- 12/24V AC or DC
- Other industry standard base

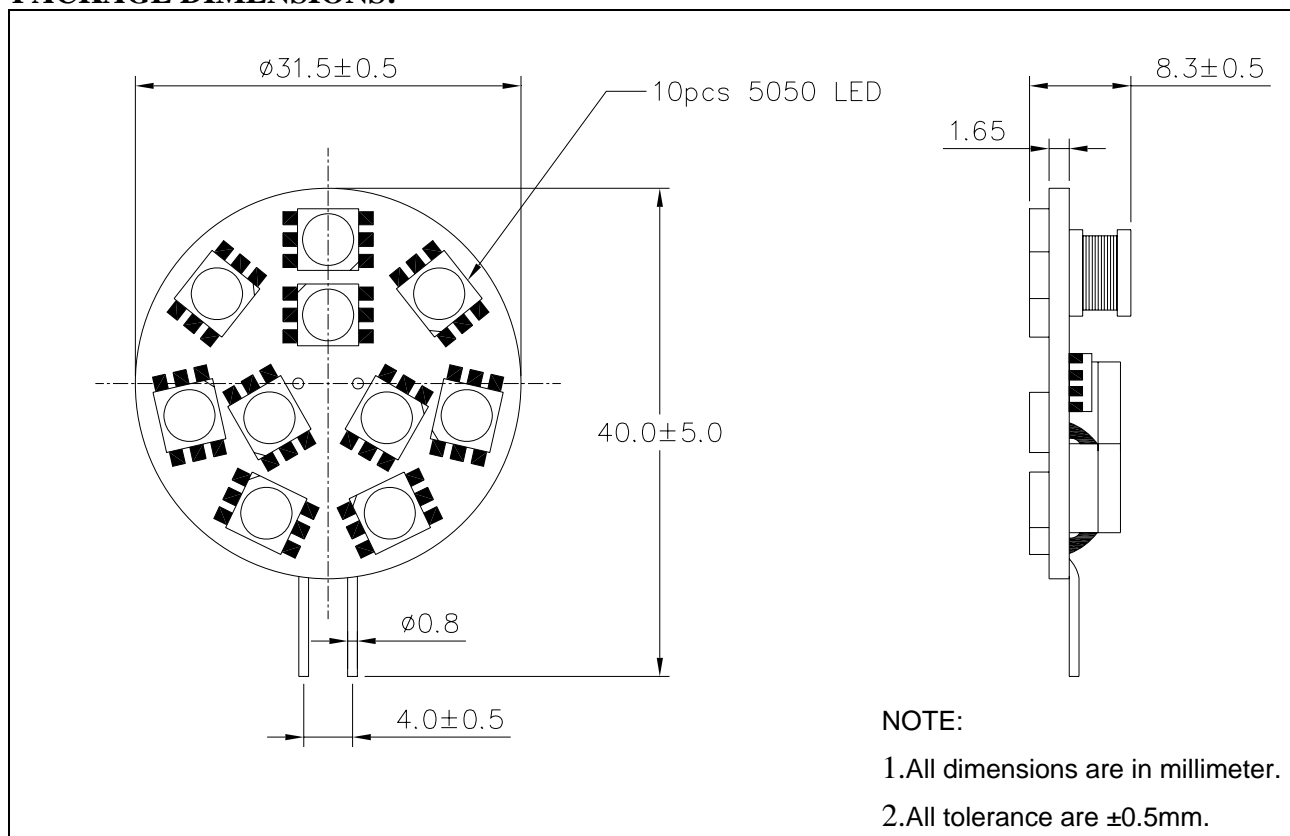
A-BRIGHT

A-BRIGHT INDUSTRIAL CO.,LTD.

Part No.: AB-10TW0G4S-PCB

Multi Lamps LED Module

PACKAGE DIMENSIONS:



Part No.: AB-10TW0G4S-PCB

Multi Lamps LED Module

FEATURE:

- SUPER LUMINOSITY WHITE LED (InGaN).
- WATER CLEAR PACKAGE.
- WIDE VIEWING ANGLE.
- ELECTRIC AC/DC BI-POLAR.

ABSOLUTE MAXIMUM RATING: Ta = 25 °C

- PEAK OPERATE VOLTAGE..... 26 V
- OPERATING TEMPERATURE..... -25 TO +85°C
- STORAGE TEMPERATURE..... -35 TO +100°C
- LED BULB LIFE..... 20000 HOURS
(LUMINANCE REDUCES to 50%)

ABSOLUTE OPTICAL CHARACTERISTIC Ta= 25°C

PARAMETER		SYMBOL	MIN	TYP	MAX	UNIT
Operate Voltage		V	12	-----	26	V
Luminous Intensity	IF= 100 mA	Iv	30	55	-----	cd
Correlated Color Temperature	IF= 100 mA	CCT	-----	6000	-----	K
Forward Current	VIN= 12 V DC	IF	-----	100	-----	mA
	VIN= 24 V DC		-----	90	-----	
Viewing Angle		2θ1/2	-----	100	-----	deg