

## MULTI LAMPS LED BULB

### Data Sheet

#### **Description:**

These multi lamps LED Bulbs are specifically designed for flashlight electric equipment, indicator light switch and where a wide view angle. The 5 mm round shaped radiation pattern (15°) and high luminous intensity ensure that these devices are excellent for wide field of view outdoor applications where a wide viewing angle and readability in sunlight are essential.

High efficiency LED materials are used in this Bulb. Every lamp is made with an advanced optical grade epoxy offering superior high shock and high temperature resistance in outdoor applications.

#### **Feature:**

- Wide view angle
- High luminous output
- Seven kind color
- Solid-state Vibration resistant
- Saving power
- Long life

#### **Option:**

- 6V to 240V AC or DC
- Other industry standard base

***A-BRIGHT***

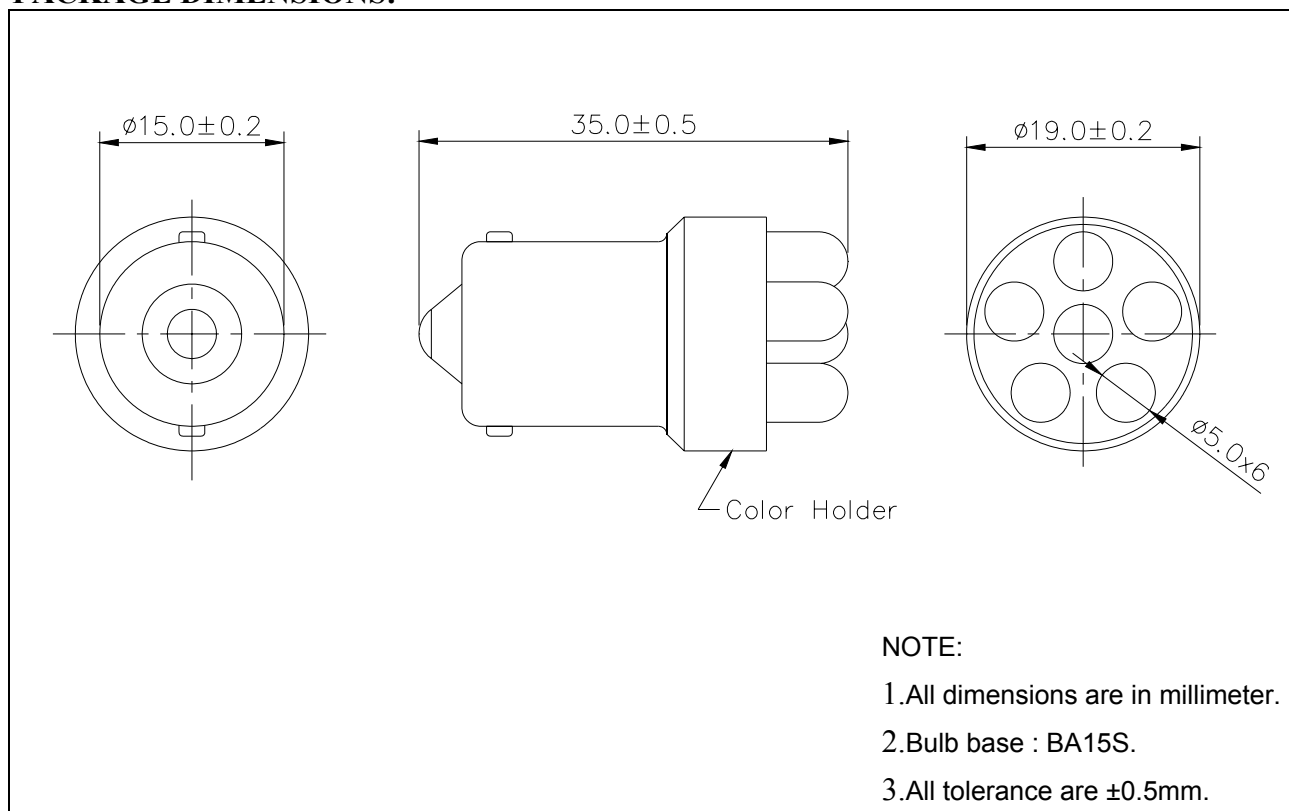
A-BRIGHT INDUSTRIAL CO.,LTD.

---

***Part No.: AB-065G30-24V0-B1G-0***

***Multi Lamps LED Bulb***

**PACKAGE DIMENSIONS:**



**Part No.: AB-065G30-24V0-B1G-0**

**Multi Lamps LED Bulb**

**FEATURE:**

- SUPER LUMINOSITY GREEN LED (InGaN).
- WATER CLEAR PACKAGE.
- 5mm ALL RESIN MOLD.
- WIDE VIEWING ANGLE.
- BASE MODEL BA15S.
- ELECTRIC AC/DC BI-POLAR.

**ABSOLUTE MAXIMUM RATING: Ta = 25 °C**

- PEAK OPERATE VOLTAGE..... **28 V**
- OPERATING TEMPERATURE..... **-25 TO +85°C**
- STORAGE TEMPERATURE..... **-35 TO +100°C**
- LED BULB LIFE..... **200000 HOURS**  
(LUMINANCE REDUCES to 50%)

**ABSOLUTE OPTICAL CHARACTERISTIC (Ta= 25°C)**

PARAMETER		SYMBOL	MIN	TYP	MAX	UNIT
Operate Voltage		<b>V</b>	----	<b>24</b>	<b>28</b>	<b>V</b>
Luminous Intensity	<b>IF= 20 mA</b>	<b>Iv</b>	<b>25</b>	<b>35</b>	----	<b>cd</b>
Dominant Wavelength	<b>IF= 20 mA</b>	<b>λd</b>	----	<b>525</b>	----	<b>nm</b>
Spectrum Radiation Bandwidth	<b>IF= 20 mA</b>	<b>Δλ</b>	----	<b>20</b>	----	<b>nm</b>
Forward Current	<b>VIN=24 V DC</b>	<b>IF</b>	----	<b>20</b>	----	<b>mA</b>
Viewing Angle		<b>2θ1/2</b>	----	<b>15</b>	----	<b>deg</b>